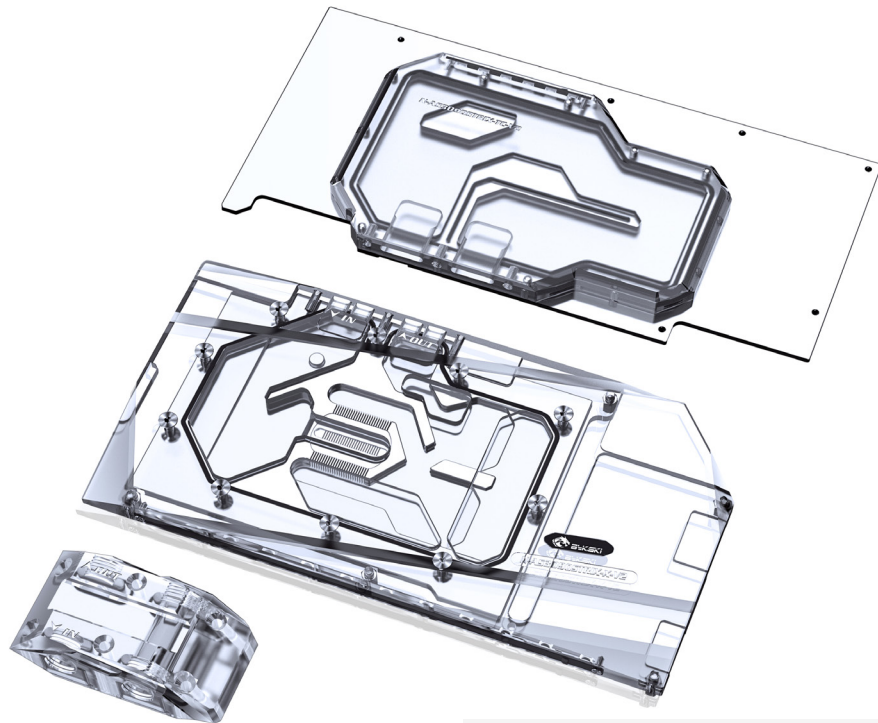


N-AS3090STRIX-TC V2

GPU Waterblock



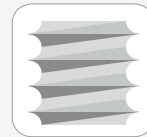
BLKSKI
EUROPE



- Imported MITSUBISHI acrylic materials
- Excellent thermal conductive T2 copper plate
- Jet type micro channel structure
- active backplate
- Large channel design, optimised flow



Jet Microchannel
0.5 mm



screw thread
G1/4'



Decorative pattern
Diamond cut



T2/Cu-ETP Copper

SAFETY AND WARRANTY INFORMATION

Before you start using this product, please follow these guidelines:

- Please carefully read the complete manual before beginning with the installation process.
- No liability is accepted for installation errors.
- Only use plastic, copper or brass components in the circuit. The use of other materials can lead to corrosion and other damage to the waterblock.
- Before mounting, please check the compatibility of the cooler with your GPU by comparing the PCB on page 2 with your GPU.
- All Bykski coolers are approved for use with „Aquacomputer DP-Ultra“ liquid only. The use of other fluids occurs at the user's own risk.
- Bykski GPU coolers must only be cleaned with distilled water, the use of other cleaning agents may damage the cooler! Never use cleaning agents containing alcohol or acid, this causes the destruction of the acrylic components and may attack the nickel plating!
- Tighten the screws and fittings carefully and firmly. Never use brute force.
- Make sure to thoroughly bleed air out of your water block, otherwise the cooling capacity may be limited.

TABLE OF CONTENT

page

COMPATIBILITY	2
BOX CONTENTS	3
PREPARATION OF THE GRAPHICS CARD	4
INSTALLATION OF THE WASHERS	5
INSTALLATION OF THE BLOCK	6
INSTALLATION OF THE BACKPLATE	7
INSTALLATION OF THE TERMINAL	8
SUPPORT AND SERVICE	9
IMPRINT	10

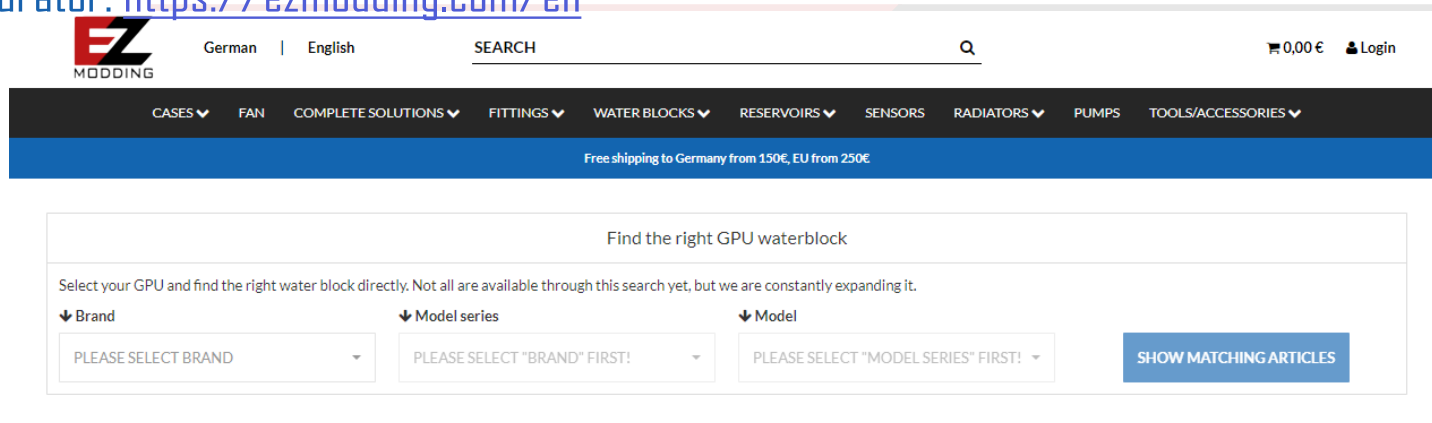
MODDING

www.ezmodding.com

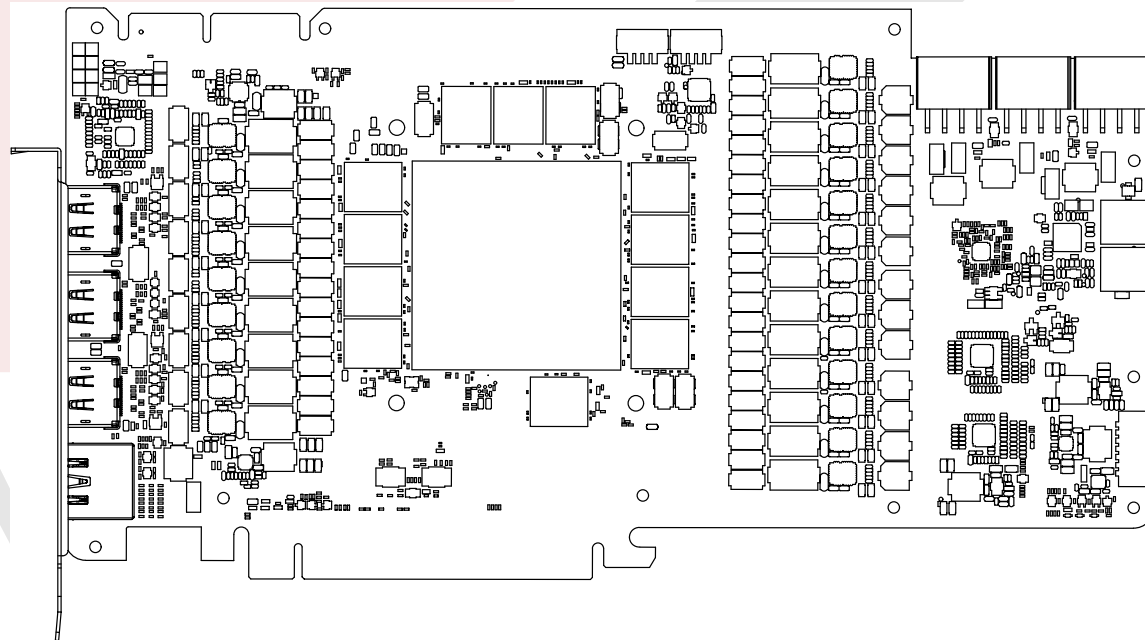
COMPATIBILITY

Before installing the waterblock, please ensure the compatibility.

Use our configurator: <https://ezmodding.com/en>



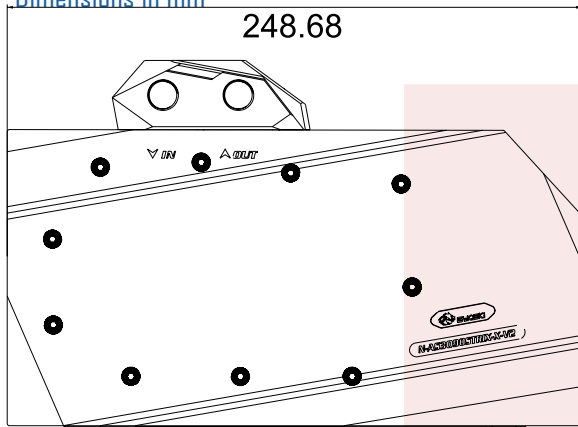
The screenshot shows the EZ Modding website interface. At the top left is the EZ Modding logo. To its right are language options for German and English, a search bar, and a shopping cart icon showing 0,00 € and a login button. Below this is a navigation menu with categories: CASES, FAN, COMPLETE SOLUTIONS, FITTINGS, WATER BLOCKS, RESERVOIRS, SENSORS, RADIATORS, PUMPS, and TOOLS/ACCESSORIES. A blue banner below the menu states "Free shipping to Germany from 150€, EU from 250€". The main content area is titled "Find the right GPU waterblock" and includes a sub-header: "Select your GPU and find the right water block directly. Not all are available through this search yet, but we are constantly expanding it." Below this are three dropdown menus: "Brand" (with "PLEASE SELECT BRAND" as a placeholder), "Model series" (with "PLEASE SELECT 'BRAND' FIRST!" as a placeholder), and "Model" (with "PLEASE SELECT 'MODEL SERIES' FIRST!" as a placeholder). A blue button labeled "SHOW MATCHING ARTICLES" is positioned to the right of the dropdowns.



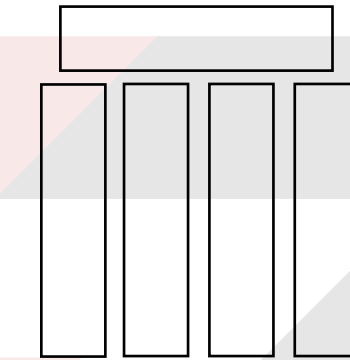
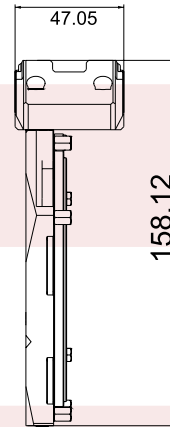
COMPATIBLE ASUS ROG-STRIX-RTX3090

BOX CONTENTS

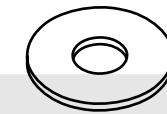
Dimensions in mm



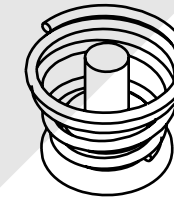
N-AS3090STRIX-TC V2 (1 pc)



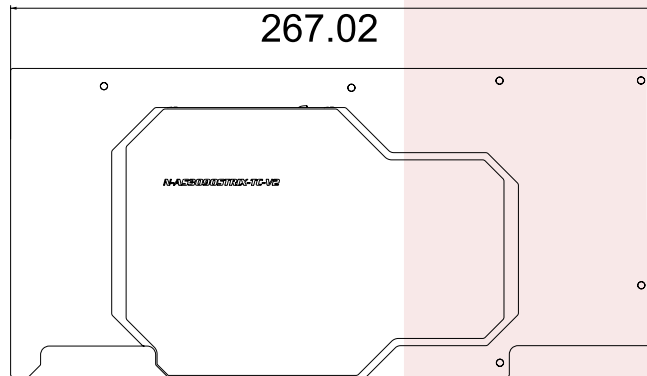
1,8mm THERMAL PAD
100x14mm (5 pcs)



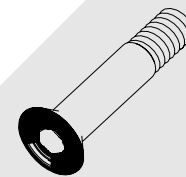
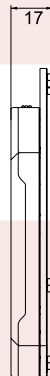
0,5mm WASHER (4 pcs)



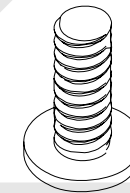
M2X6mm
SPRING SCREW (4 pcs)



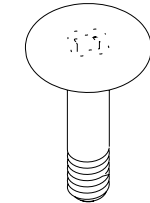
ACTIVE BACKPLATE (1 pc)



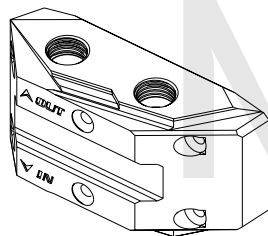
M4X22mm
SCREW (4 pcs)



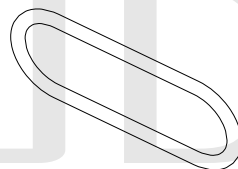
M2X5mm
SCREW (1 pc)



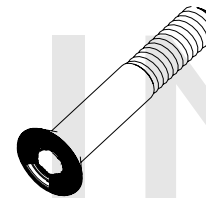
M2X9,5mm
SCREW (6 pcs)



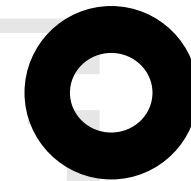
TERMINAL (1 pc)



SEALING RING (4 pcs)



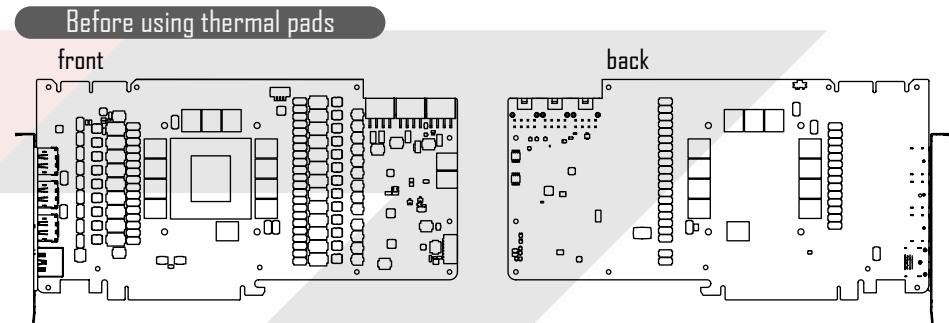
M4X35mm
SCREW (2 pcs)



WASHER
(6 pcs)

PREPARATION OF THE GRAPHICS CARD

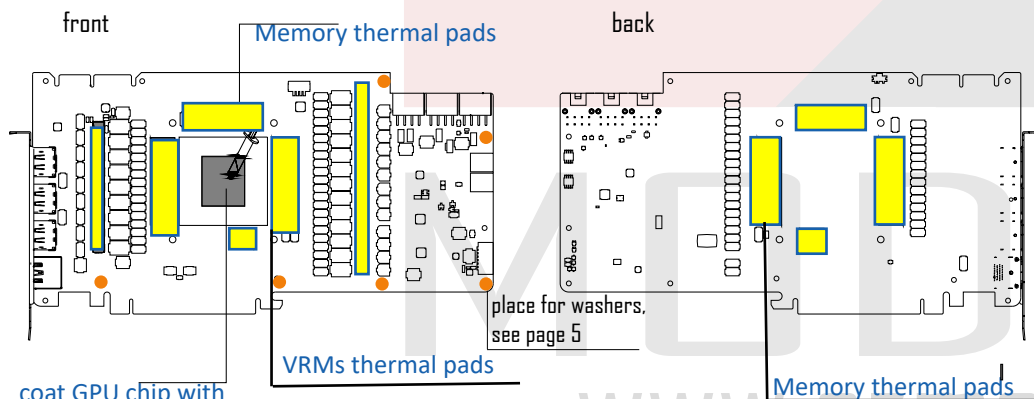
1. Remove the stock cooler.
2. Wipe off the thermal paste of the components using a nonabrasive cloth and remove the original thermal pads.
3. Check the position and number of screws on the block and test if the block fits your graphics card.
4. Cut the enclosed thermal pads to the right size for the front- and the backside of the graphics card (grey marked spaces on fig. 2).
5. Apply the thermal paste in a **thin and even** layer on the entire surface GPU chip (grey area on fig. 2) and the thermal pads to the indicated positions (yellow area on fig. 2).



Clean the circuit and chip and wipe off the original thermal pads

Cut the thermal pads to proper size

fig. 1



coat GPU chip with thermal paste

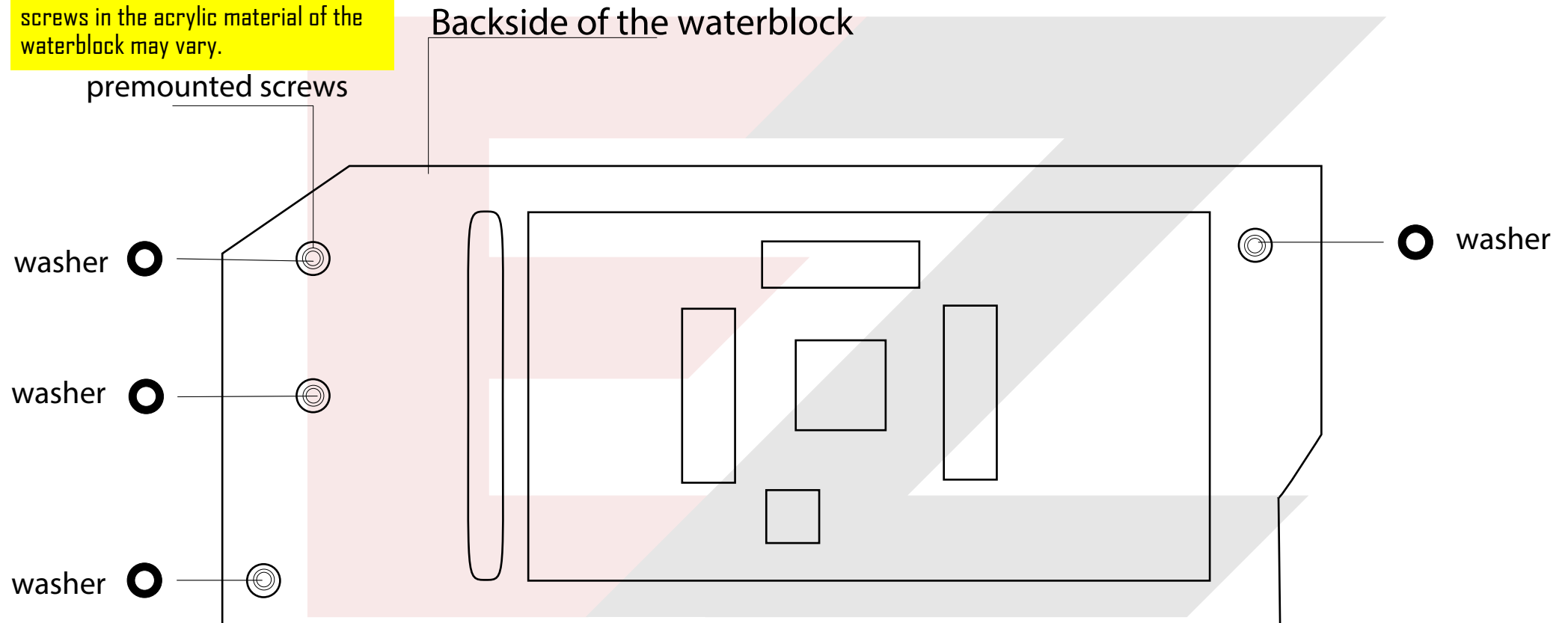
fig. 2



- ① **No** thermal pads are required on the **coils!**
- ② The memory and VRMs marked in yellow **MUST** be covered with thermal pads, otherwise the graphics card may **get damaged.**

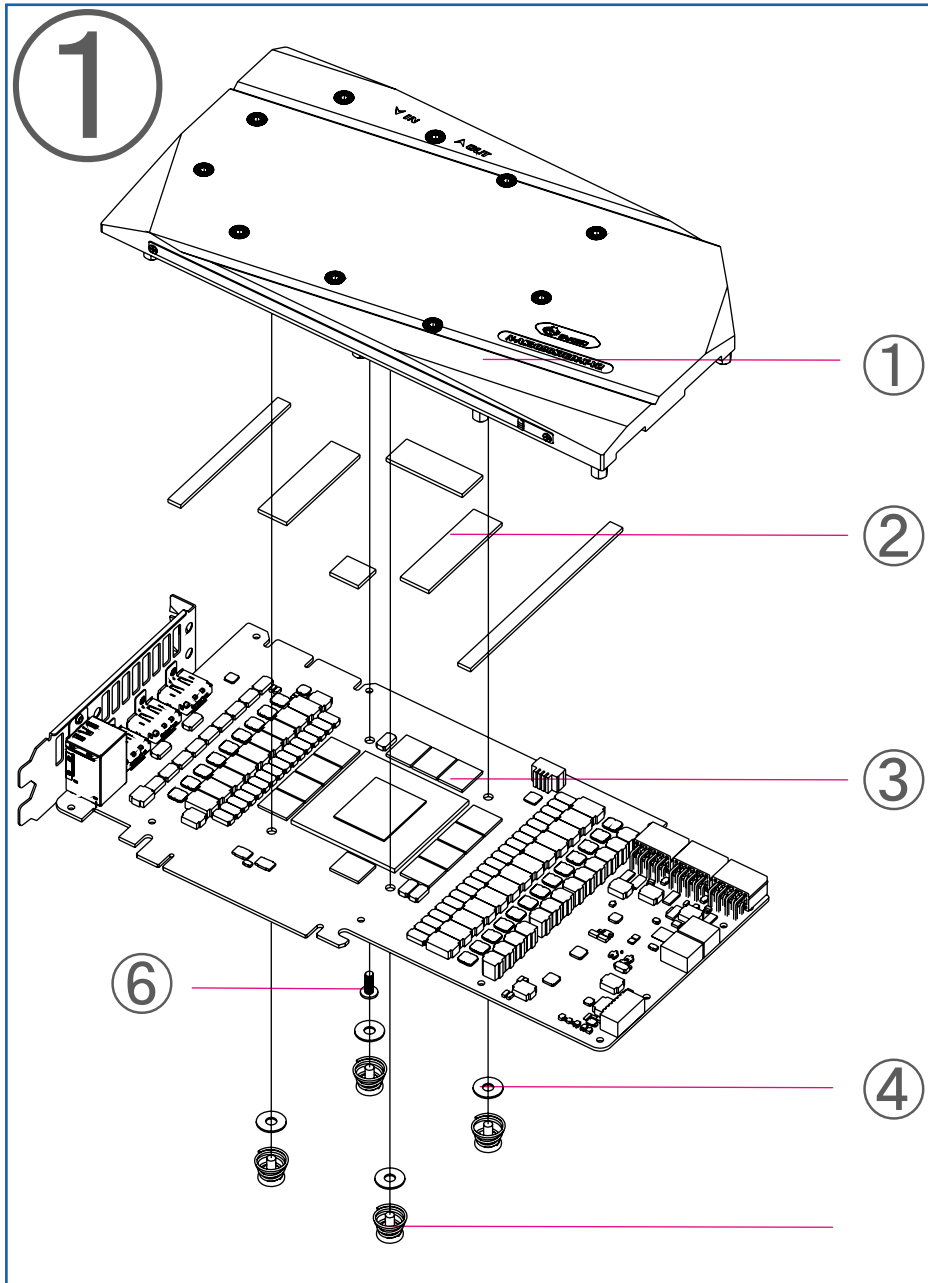
INSTALLATION OF THE WASHERS

This figure is an example. The position, number and constallation of the screws in the acrylic material of the waterblock may vary.



The washers belong on the backside of the waterblock. Put them on the pre-mounted screws in the acrylic material. They ensure the right space between the waterblock and the graphics card (marked orange on fig. 2 on page 4)

INSTALLATION OF THE BLOCK



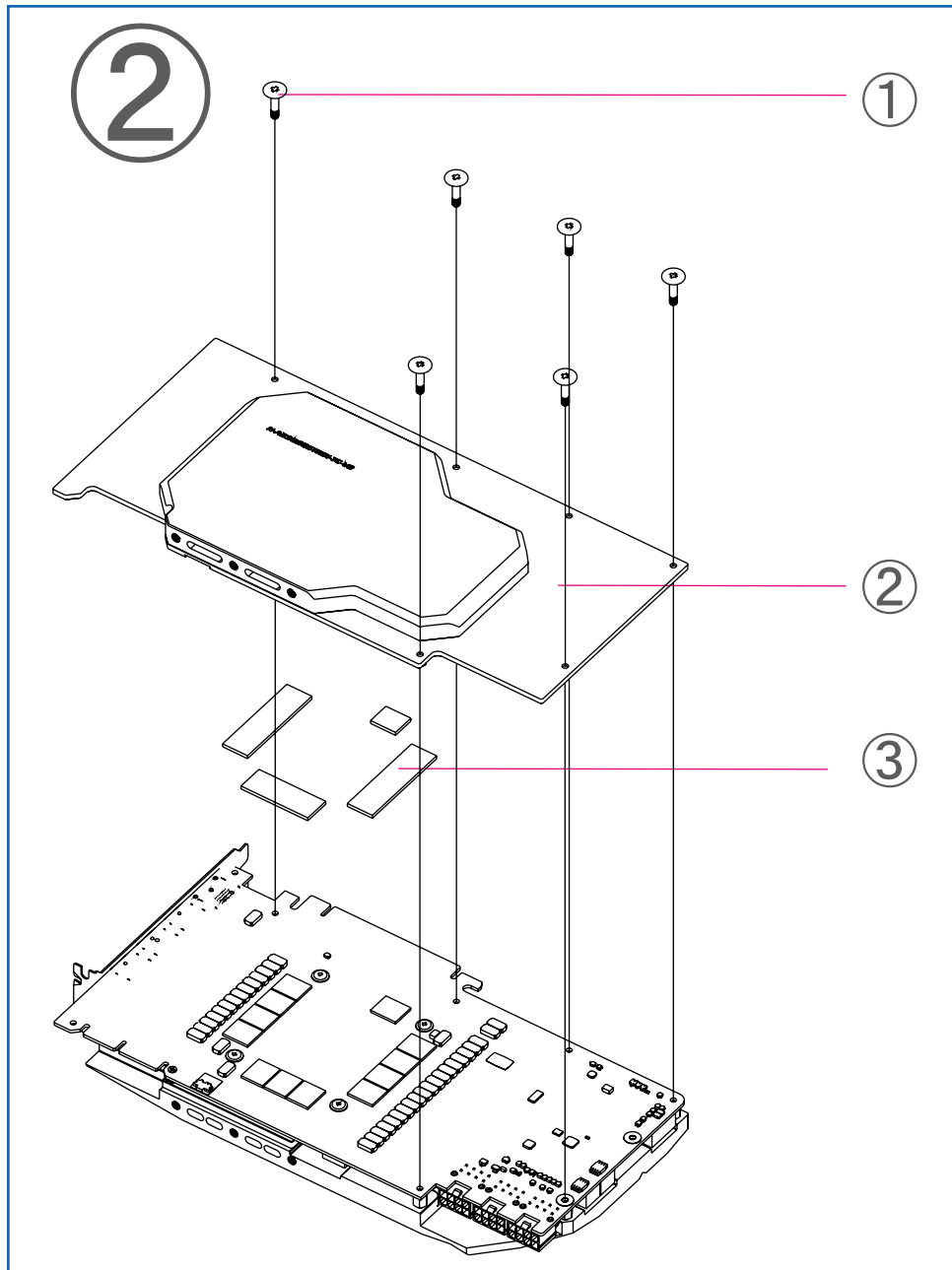
If you notice that the block and the graphics PCB do not fit, do not force the block into place, it could cause damage. Contact a technician (support@ezmodding.com).

Step 1:

1. Carefully place the PCB of the graphics card **on top** of the **block** (1).
2. Attach the **block** (1) to the graphics PCB and align the **washer** (4), the **M2X6mm spring screws** (5) and the **M2X5mm screw** (6) with the screw holes of the graphics card and tighten it carefully.

1. N-EV3090FTW-TC
2. 1,8mm thermal pads
3. Graphics card
4. 0,5mm washer
5. M2X6mm spring screw
6. M2X5mm screw

INSTALLATION OF THE BACKPLATE



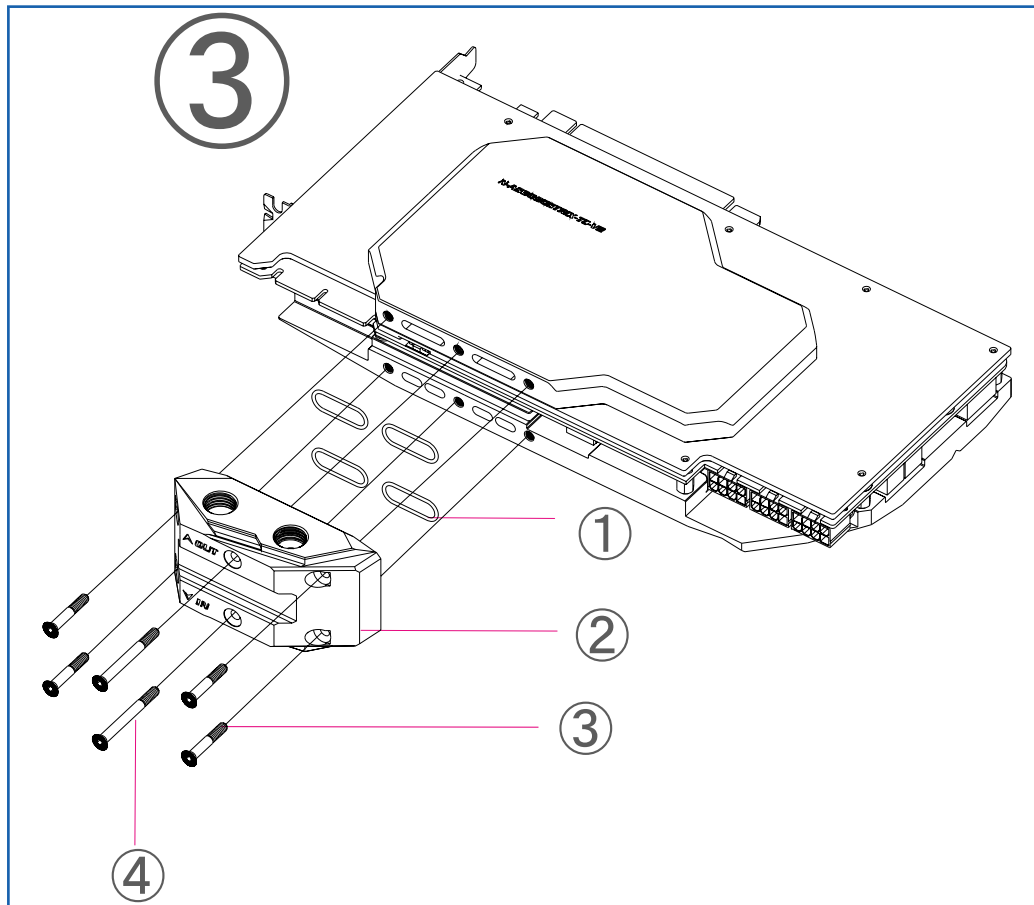
Step 2:

Place the **backplate (2)** **on the back** of the graphics card and secure it **carefully** with the screws (1) in the corresponding position of the screw holes.

1. M2X9 5mm aluminium screws
2. Copper back plate with waterway
3. 1,8mm thermal pads

MODDING
modding.com

INSTALLATION OF THE TERMINAL



Step 3:

Install the **terminal** (2) and secure it **carefully** with the **M4X22mm screws** (3) and the **M4X35mm screws** (4).

1. Sealing ring (already attached)
2. Terminal
3. M4X22mm screw
4. M4X35mm screw

DING
www.ezmodding.com

SUPPORT AND SERVICE

In case you have any questions regarding our product or need assistance, please contact:

support@ezmodding.com

You can also use our contact form:

<https://ezmodding.com/contact>

Visit us on:

 <https://www.facebook.com/ezmodding>

 EZModding

 www.ezmodding.com

MODDING
www.ezmodding.com

IMPRINT

IMPKON GmbH & Co.KG

Sabinastraße 30

45136 Essen

Germany

Telephone: 020189061993

E-Mail: support@ezmodding.com

VAT No.: DE333294398

WEEE reg. no.: DE 41356332

listed in the commercial register of the local court Essen

Commercial register number - Part A of the commercial register - 11139

Represented by the individually liable partner

Impkon Verwaltungs GmbH

Represented by the general manager Daniel Konrad, Tim Konrad

Sabinastraße 30, 45136 Essen, Deutschland

Listed in the commercial register of the local court Essen

Commercial register number - Part B of the commercial register - 31069

MODDING

www.ezmodding.com